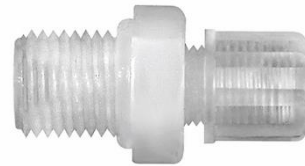
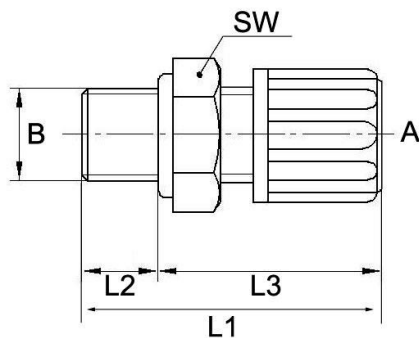


Perfluoroalkoxy alkane (PFA): A fluoroplastic with the same chemical resistance as PTFE but much stronger and suitable for temperatures up to 200 °C.

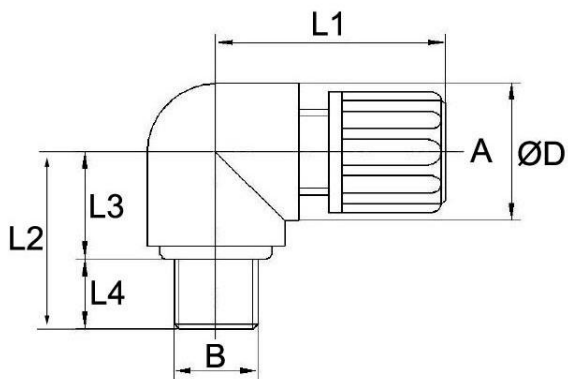
Material: Perfluoroalkoxy alkane (PFA)
 Operating pressure: Dependent on operating temperature
 Max. 10 bar (at 20 °C)
 Max. 1 bar (at 170 °C)
 Operating temperature: Max. 200 °C



120.11.603

Male connectors with male G thread

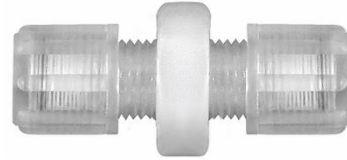
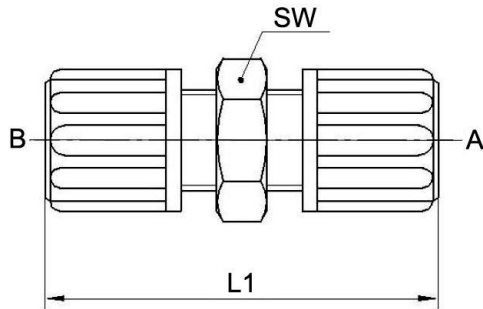
Art. No.	Ident No.	Thread (B)	For hose mm (A)	L1 mm	L2 mm	L3* mm	a/f mm
120.01.603	110900	G 1/8	4/6	31.5	8.0	23.5	14
120.02.603	110901	G 1/8	6/8	36.5	8.0	28.5	17
120.03.603	110902	G 1/8	8/10	40.5	8.0	32.5	19
120.11.603	110903	G 1/4	4/6	37.0	12.0	25.0	17
120.12.603	110904	G 1/4	6/8	41.0	12.0	29.0	17
120.13.603	110905	G 1/4	8/10	45.0	12.0	33.0	19
120.14.603	110906	G 1/4	9/12	48.5	12.0	37.0	22
120.21.603	110907	G 3/8	4/6	38.5	12.0	26.5	22
120.22.603	110908	G 3/8	6/8	42.5	12.0	30.5	22
120.23.603	110909	G 3/8	8/10	45.5	12.0	33.5	22
120.24.603	110910	G 3/8	9/12	49.5	12.0	37.5	22
120.31.603	110911	G 1/2	4/6	43.0	14.0	29.0	27
120.32.603	110912	G 1/2	6/8	47.0	14.0	33.0	27
120.33.603	110913	G 1/2	8/10	50.0	14.0	36.0	27
120.34.603	110914	G 1/2	9/12	54.0	14.0	40.0	27



140.61-PP

Male elbows with male G thread

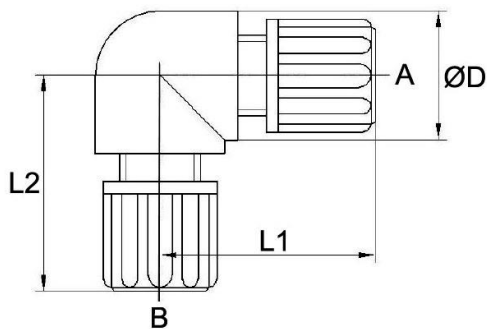
Art. No.	Ident No.	Thread (B)	For hose mm (A)	L1* mm	L2 mm	L3 mm	L4 mm	Ø D mm
140.51.603	110915	G 1/8	4/6	25.0	20.0	12.0	8.0	13.0
140.52.603	110916	G 1/8	6/8	30.0	23.0	15.0	8.0	15.0
140.53.603	110917	G 1/8	8/10	36.0	25.0	17.0	8.0	20.0
140.61.603	110918	G 1/4	4/6	26.0	25.0	13.0	12.0	15.0
140.62.603	110919	G 1/4	6/8	30.0	27.0	15.0	12.0	15.0
140.63.603	110920	G 1/4	8/10	36.0	32.0	17.0	12.0	20.0
140.71.603	110921	G 3/8	4/6	29.0	30.0	19.0	12.0	20.0
140.72.603	110922	G 3/8	6/8	33.0	27.0	15.0	12.0	20.0
140.73.603	110923	G 3/8	8/10	36.0	29.0	17.0	12.0	20.0
140.81.603	110924	G 1/2	4/6	32.0	29.0	15.0	14.0	25.0
140.82.603	110925	G 1/2	6/8	36.0	29.0	15.0	14.0	25.0
140.83.603	110926	G 1/2	8/10	39.0	31.0	17.0	14.0	25.0



140.01-PP

Hose connectors

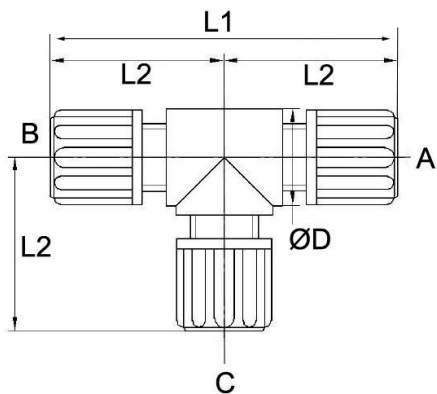
Art. No.	Ident No.	For hose mm	L1* mm	a/f mm
140.01.603	110827	4/6	39.0	14
140.02.603	110928	6/8	49.0	19
140.03.603	110929	8/10	55.0	22
140.04.603	110930	9/12	64.0	24



140.13.603

Elbow hose connectors

Art. No.	Ident No.	For hose mm	L1* mm	L2* mm	Ø D mm
140.11.603	110931	4/6	25.0	25.0	13.0
140.12.603	110932	6/8	30.0	30.0	15.0
140.13.603	110933	8/10	36.0	36.0	20.0



140.21.603

Tee hose connectors

Art. No.	Ident No.	For hose mm	L1 mm	L2* mm	Ø D mm
140.21.603	110934	4/6	52.0	26.0	12.0
140.22.603	110935	6/8	62.0	31.0	15.0
140.23.603	110936	8/10	72.0	36.0	20.0

Knurled nuts

Art. No.	Ident No.	Thread	For hose mm	L1 mm
160.01.603	110937	M10x1.0	4/6	13.5
160.02.603	110938	M14x1.5	6/8	17.0
160.03.603	110939	M16x1.5	8/10	18.0
160.04.603	110940	M18x1.5	9/12	20.0



160.01.603

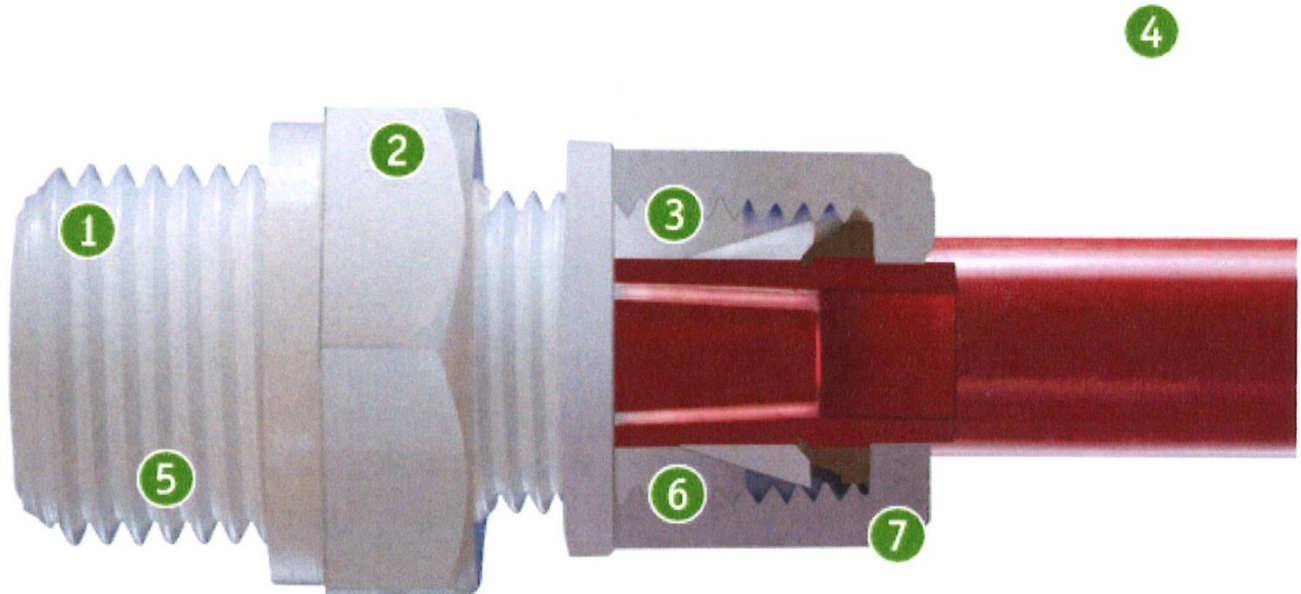
Ferrule - Sealing rings PEEK (bite-type tube fittings) / PTFE (seals)

Art. No.	Ident No	For hose mm
170.01.603	110941	4/6
170.02.603	110942	6/8
170.03.603	110943	8/10
170.04.603	110944	9/12



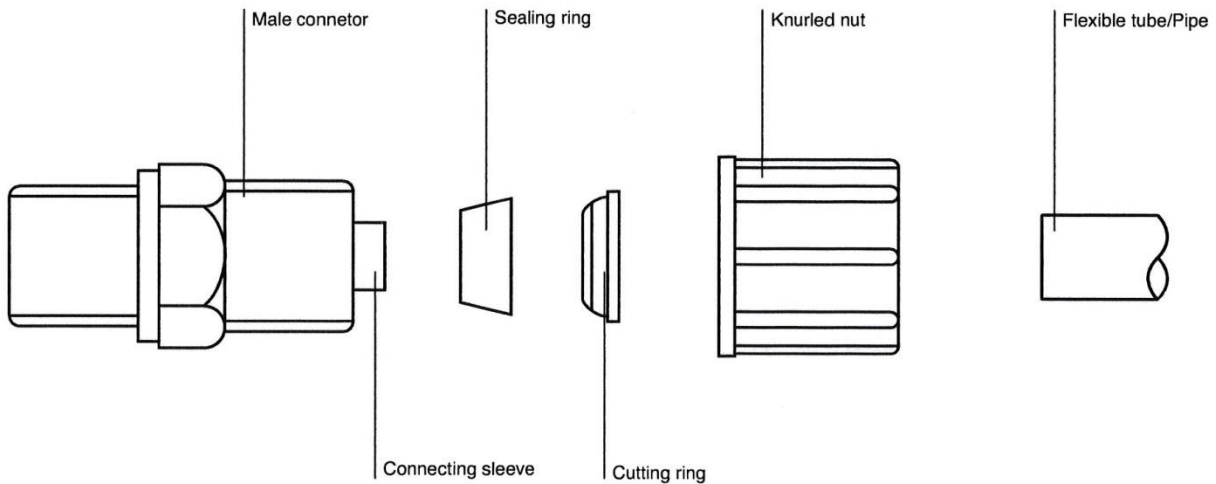
170.01.603

*for tube connections in inch add 2 mm



1. Thread manufactured without seam⇒High tightness, long term stability
2. Hexagon manufactured according to DIN
3. Sealed by PTFE sealing ring⇒Maximum media resistance
4. Connector available in PFA
5. Thread manufactured according to DIN
6. Connecting sleeve manufactured without seam⇒High tightness, long term stability
7. Cutting ring made of PEEK⇒Optimum guard against pull-off forces

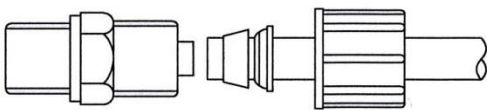
The connection principle used in this Series entails pushing the firm flexible tube or the plastic pipe onto an integrated connecting sleeve and using a sealing ring to produce a tight fit. The tube is secured in place by a cutting ring, which is forced against the tube by a knurled nut. The more the knurled nut is screwed onto the connector body, the more the cutting ring wedges the flexible tube or pipe. Screwing on the knurled nut causes a shear force to act via the cutting ring, which intensifies the contact pressure. The result is a tight, friction-locked connection which can be released at any time and minimises the dead volume.



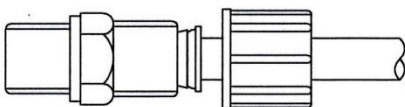
TORQUE TABLE

Plastic	Thread				
	G 1/8"	G 1/4"	G 3/8"	G 1/2"	G 3/4"
PFA	0.3 Nm	0.5 Nm	1.0 Nm	2.5 Nm	5.0 Nm

- Screw in the connector with the required torque (see table)
- Cut off the flexible tube/pipe at right angles
- Push the knurled nut, the cutting ring and the sealing ring over the end of the flexible tube/pipe as shown



- Push the end of the flexible tube/pipe onto the connecting sleeve as far as the stop



- Screw on the knurled nut by hand and secure hand-tight

